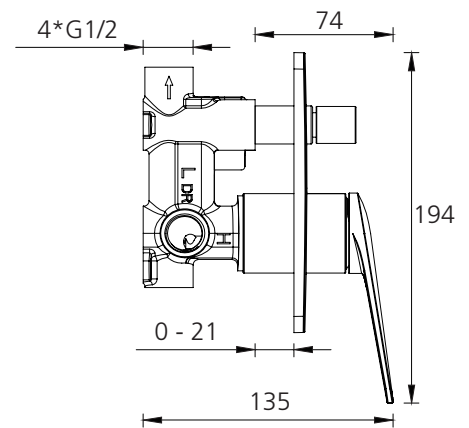
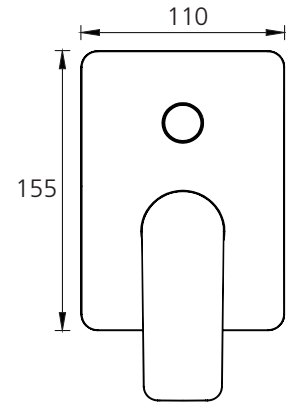


Paris

PA101500BN

Brushed Nickel Wall Mixer With Diverter

All dimensions in mm



Specifications /

WELs rating	NA
Temperature rating (min / max)	1°C - 65°C
Pressure rating (min / max)	150 kPa - 500 kPa
Finish	Brushed nickel (PVD)
Materials	Brass body and zinc handle
Cartridge size	35 mm
Cartridge type	Ceramic disc cartridge
Product weight	1.96 kg
Water supply	Mains
Warranty	15 years cartridge and body; 10 years finish; 5 years seals, fittings; 1 year labour (see Oliveri website for full details)
Maintenance and care instructions	All surfaces should be cleaned with mild liquid detergent or soap and water. Do not use cream cleaners or citrus based cleaning products, as they are abrasive. Use of unsuitable cleaning agents may damage the surface. Any damage caused in this way will not be covered by warranty.