

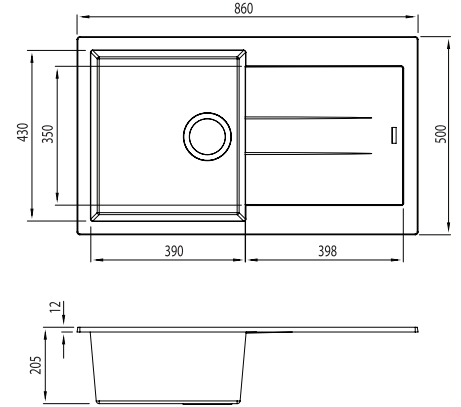
Santorini

Italian made

All dimensions in mm

ST-WH1520 NZ OF

White Single Bowl Topmount Sink With Drainer



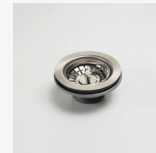
REVERSIBLE SINK

Your installer will drill the tap hole depending on which side you require your sink's bowl(s) and drainer.

Specifications /

Sink size	860W x 500H mm
Bowl size	Main Bowl 2 390W x 430H x 200D / 34L
Construction	Moulded granite
Material	80% granite and quartz particles and 20% acrylic
Installation	Topmount
Fixings	Topmount seal and clips supplied
Min cabinet size	500 mm
Tap holes	Installer to complete semi-drilled tap hole for LH or RH bowl
Waste fittings	1 x 90 mm basket waste included
Overflow	Included
Carton size	960 x 580 x 310 mm
Weight	15 kg
Warranty	Lifetime manufacturer's warranty (refer to oliveri.co.nz)
Maintenance and care instructions	Clean the sink regularly with warm water, a liquid detergent and a soft cloth. Do not use abrasive powders or creams and avoid chemically aggressive detergents. Generic stains should be removed immediately with very hot water and a cleaning product. For organic stains which are especially difficult to remove, it is recommended that you fill the sink with a highly diluted organic cleaner such as bleach and let stand overnight. The next morning, rinse with warm water and a soft cloth.

Included accessories /



NZ Basket Waste Overflow



Overflow Round with Cover